

STANLEY

PROTO[®]

ProtoGrip™ MAGNETIC SOCKETS



Cut-away view shows large high-strength ProtoGrip™ magnet held in place by mechanical and magnetic force.

Designed for Strength:

- ProtoGrip™ Magnetic Sockets use high strength magnets made from a rare earth magnet alloy/nylon blend.
- ProtoGrip™ Magnetic Sockets require no bushings to hold the magnet in place. Allows room for more magnet material, helping increase total magnetic strength.

Designed for Durability:

- ProtoGrip™ Magnetic Socket 'no bushing' technology holds magnet directly to socket wall. Helps reduce socket / magnet separation and failure caused by repeated or impact use.

Designed for Productivity:

- ProtoGrip™ Magnetic Sockets are designed to easily pick up heavy fasteners and hold them tightly during use.
- Strong magnetic hold helps increase efficiency when installing fasteners in awkward or hard-to-reach locations.

Designed for Versatility:

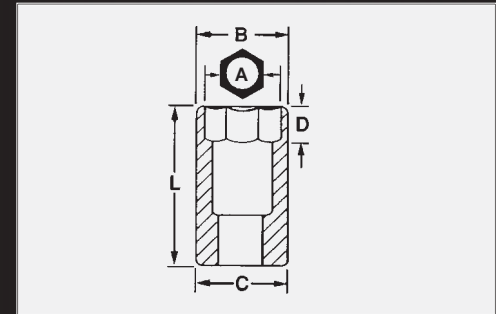
- ProtoGrip™ Magnetic Sockets are available in both power and impact configurations, Metric and SAE and in three drive sizes.
- Power sockets with high surface hardness are used in high-speed assembly operations. Ideal for nut runners.
- Impact sockets with high impact strength are used in automated and hand impact socket applications.

©2005 THE STANLEY WORKS

2195 East View Parkway, Suite 103 Conyers, GA 30013
www.stanleyproto.com Customer Service: 1-800-800-TOOL

 WARNING: Work Safely With Tools Wear Safety Goggles.

REFERENCE MEASUREMENT KEY



25.4 mm = 1 inch
454 grams = 1 pound

1/4" Drive High Strength Magnetic Power Socket							
Part No.	Description	A	B	C	D	L	Weight
6906PF	1/4" Drive Magnetic Power Socket 3/16"	3/16"	5/16"	1/2"	5/32"	7/8"	.02 lbs.
6908PF	1/4" Drive Magnetic Power Socket 1/4"	1/4"	25/64"	1/2"	11/64"	7/8"	.02 lbs.
6910PF	1/4" Drive Magnetic Power Socket 5/16"	5/16"	1/2"	1/2"	13/64"	15/16"	.03 lbs.
6911PF	1/4" Drive Magnetic Power Socket 11/32"	11/32"	33/64"	33/64"	7/32"	15/16"	.03 lbs.
6912PF	1/4" Drive Magnetic Power Socket 3/8"	3/8"	9/16"	9/16"	15/64"	15/16"	.04 lbs.
6914PF	1/4" Drive Magnetic Power Socket 7/16"	7/16"	21/32"	21/32"	1/4"	1"	.04 lbs.
6916PF	1/4" Drive Magnetic Power Socket 1/2"	1/2"	11/16"	11/16"	1/4"	1"	.05 lbs.
6905MPF	1/4" Drive Magnetic Power Socket 5mm	5mm	7.9mm	12.7mm	4mm	22.2mm	.02 lbs.
69055MPF	1/4" Drive Magnetic Power Socket 5.5mm	5.5mm	9.1mm	12.7mm	4mm	22.2mm	.02 lbs.
6906MPF	1/4" Drive Magnetic Power Socket 6mm	6mm	9.9mm	12.7mm	4.4mm	22.2mm	.02 lbs.
6907MPF	1/4" Drive Magnetic Power Socket 7mm	7mm	11.1mm	12.7mm	4.4mm	23.8mm	.02 lbs.
6908MPF	1/4" Drive Magnetic Power Socket 8mm	8mm	12.7mm	12.7mm	4.4mm	23.8mm	.02 lbs.
6909MPF	1/4" Drive Magnetic Power Socket 9mm	9mm	13.1mm	13.1mm	5.2mm	23.8mm	.03 lbs.
6910MPF	1/4" Drive Magnetic Power Socket 10mm	10mm	14.3mm	14.3mm	5.6mm	23.8mm	.04 lbs.
6911MPF	1/4" Drive Magnetic Power Socket 11mm	11mm	15.9mm	15.9mm	6.7mm	25.4mm	.05 lbs.
6912MPF	1/4" Drive Magnetic Power Socket 12mm	12mm	17.5mm	17.5mm	7.1mm	25.4mm	.06 lbs.
6913MPF	1/4" Drive Magnetic Power Socket 13mm	13mm	18.7mm	18.7mm	7.5mm	25.4mm	.07 lbs.
3/8" Drive High Strength Magnetic Power Socket							
Part No.	Description	A	B	C	D	L	Weight
7210PF	3/8" Drive Magnetic Power Socket 5/16"	5/16"	1/2"	11/16"	3/16"	1-3/32"	.06 lbs.
7212PF	3/8" Drive Magnetic Power Socket 3/8"	3/8"	39/64"	11/16"	15/64"	1-3/32"	.06 lbs.
7214PF	3/8" Drive Magnetic Power Socket 7/16"	7/16"	11/16"	11/16"	1/4"	1-3/32"	.06 lbs.
7216PF	3/8" Drive Magnetic Power Socket 1/2"	1/2"	3/4"	3/4"	9/32"	1-3/32"	.08 lbs.
7218PF	3/8" Drive Magnetic Power Socket 9/16"	9/16"	13/16"	13/16"	21/64"	1-3/32"	.08 lbs.
7207MPF	3/8" Drive Magnetic Power Socket 7mm	7mm	12.3mm	17.5mm	4.4mm	27.8mm	.06 lbs.
7208MPF	3/8" Drive Magnetic Power Socket 8mm	8mm	12.7mm	17.5mm	4.4mm	27.8mm	.06 lbs.
7210MPF	3/8" Drive Magnetic Power Socket 10mm	10mm	15.9mm	17.5mm	5.6mm	29.0mm	.06 lbs.
7211MPF	3/8" Drive Magnetic Power Socket 11mm	11mm	17.5mm	17.5mm	6.7mm	29.0mm	.06 lbs.
7212MPF	3/8" Drive Magnetic Power Socket 12mm	12mm	18.7mm	18.7mm	7.1mm	29.0mm	.07 lbs.
7213MPF	3/8" Drive Magnetic Power Socket 13mm	13mm	19.1mm	19.1mm	7.5mm	30.6mm	.07 lbs.
7215MPF	3/8" Drive Magnetic Power Socket 15mm	15mm	21.8mm	21.8mm	8.3mm	30.6mm	.10 lbs.
1/2" Drive High Strength Magnetic Power Socket							
Part No.	Description	A	B	C	D	L	Weight
7412PF	1/2" Drive Magnetic Power Socket 3/8"	3/8"	5/8"	15/16"	15/16"	1-1/2"	.15 lbs.
7414PF	1/2" Drive Magnetic Power Socket 7/16"	7/16"	45/64"	15/16"	1/4"	1-1/2"	.17 lbs.
7416PF	1/2" Drive Magnetic Power Socket 1/2"	1/2"	25/32"	15/16"	17/64"	1-1/2"	.17 lbs.
7418PF	1/2" Drive Magnetic Power Socket 9/16"	9/16"	7/8"	15/16"	21/64"	1-1/2"	.19 lbs.
1/4" Drive High Strength Magnetic Impact Socket							
Part No.	Description	A	B	C	D	L	Weight
6906HF	1/4" Drive Magnetic Impact Socket 3/16"	3/16"	5/16"	1/2"	5/32"	7/8"	.02 lbs.
6908HF	1/4" Drive Magnetic Impact Socket 1/4"	1/4"	25/64"	1/2"	11/64"	7/8"	.02 lbs.
6910HF	1/4" Drive Magnetic Impact Socket 5/16"	5/16"	1/2"	1/2"	13/64"	15/16"	.03 lbs.
6912HF	1/4" Drive Magnetic Impact Socket 3/8"	3/8"	9/16"	9/16"	15/64"	15/16"	.04 lbs.
6914HF	1/4" Drive Magnetic Impact Socket 7/16"	7/16"	21/32"	21/32"	1/4"	1"	.04 lbs.
6916HF	1/4" Drive Magnetic Impact Socket 1/2"	1/2"	11/16"	11/16"	1/4"	1"	.05 lbs.
6905MHF	1/4" Drive Magnetic Impact Socket 5mm	5mm	7.9mm	12.7mm	4.0mm	22.2mm	.02 lbs.
69055MHF	1/4" Drive Magnetic Impact Socket 5.5mm	5.5mm	9.1mm	12.7mm	4.0mm	22.2mm	.02 lbs.
6906MHF	1/4" Drive Magnetic Impact Socket 6mm	6mm	9.9mm	12.7mm	4.4mm	22.2mm	.02 lbs.
6907MHF	1/4" Drive Magnetic Impact Socket 7mm	7mm	11.1mm	12.7mm	4.4mm	23.8mm	.02 lbs.
6908MHF	1/4" Drive Magnetic Impact Socket 8mm	8mm	12.7mm	12.7mm	4.4mm	23.8mm	.02 lbs.
6910MHF	1/4" Drive Magnetic Impact Socket 10mm	10mm	14.3mm	14.3mm	5.6mm	23.8mm	.04 lbs.
3/8" Drive High Strength Magnetic Impact Socket							
Part No.	Description	A	B	C	D	L	Weight
7208HF	3/8" Drive Magnetic Impact Socket 1/4"	1/4"	7/16"	11/16"	11/64"	1-3/32"	.06 lbs.
7210HF	3/8" Drive Magnetic Impact Socket 5/16"	5/16"	1/2"	11/16"	3/16"	1-3/32"	.06 lbs.
7212HF	3/8" Drive Magnetic Impact Socket 3/8"	3/8"	39/64"	11/16"	15/64"	1-3/32"	.06 lbs.
7214HF	3/8" Drive Magnetic Impact Socket 7/16"	7/16"	11/16"	11/16"	1/4"	1-3/32"	.06 lbs.
7216HF	3/8" Drive Magnetic Impact Socket 1/2"	1/2"	3/4"	3/4"	9/32"	1-3/32"	.08 lbs.
7218HF	3/8" Drive Magnetic Impact Socket 9/16"	9/16"	13/16"	13/16"	21/64"	1-3/32"	.08 lbs.
7220HF	3/8" Drive Magnetic Impact Socket 5/8"	5/8"	29/32"	29/32"	23/64"	1-7/32"	.11 lbs.
7207MHF	3/8" Drive Magnetic Impact Socket 7mm	7mm	12.3mm	17.5mm	4.4mm	27.8mm	.06 lbs.
7208MHF	3/8" Drive Magnetic Impact Socket 8mm	8mm	12.7mm	17.5mm	4.4mm	27.8mm	.06 lbs.
7210MHF	3/8" Drive Magnetic Impact Socket 10mm	10mm	15.9mm	17.5mm	5.6mm	29.0mm	.06 lbs.
7211MHF	3/8" Drive Magnetic Impact Socket 11mm	11mm	17.5mm	17.5mm	6.7mm	29.0mm	.06 lbs.
7212MHF	3/8" Drive Magnetic Impact Socket 12mm	12mm	18.7mm	18.7mm	7.1mm	29.0mm	.07 lbs.
7213MHF	3/8" Drive Magnetic Impact Socket 13mm	13mm	19.1mm	19.1mm	7.5mm	30.6mm	.07 lbs.
7214MHF	3/8" Drive Magnetic Impact Socket 14mm	14mm	20.6mm	20.6mm	8.3mm	30.6mm	.08 lbs.
7215MHF	3/8" Drive Magnetic Impact Socket 15mm	15mm	21.8mm	21.8mm	8.3mm	30.6mm	.10 lbs.
7217MHF	3/8" Drive Magnetic Impact Socket 17mm	17mm	25.4mm	25.4mm	9.9mm	31.8mm	.11 lbs.
7218MHF	3/8" Drive Magnetic Impact Socket 18mm	18mm	26.2mm	26.2mm	9.9mm	31.8mm	.14 lbs.
1/2" Drive High Strength Magnetic Impact Socket							
Part No.	Description	A	B	C	D	L	Weight
7412HF	1/2" Drive Magnetic Impact Socket 3/8"	3/8"	5/8"	15/16"	15/64"	1-1/2"	.15 lbs.
7416HF	1/2" Drive Magnetic Impact Socket 1/2"	1/2"	25/32"	15/16"	17/64"	1-1/2"	.17 lbs.
7418HF	1/2" Drive Magnetic Impact Socket 9/16"	9/16"	7/8"	15/16"	21/64"	1-1/2"	.17 lbs.
7420HF	1/2" Drive Magnetic Impact Socket 5/8"	5/8"	1"	1"	25/64"	1-1/2"	.19 lbs.
7410MHF	1/2" Drive Magnetic Impact Socket 10mm	10mm	16.3mm	23.8mm	5.6mm	38.1mm	.14 lbs.
7413MHF	1/2" Drive Magnetic Impact Socket 13mm	13mm	20.2mm	23.8mm	6.7mm	38.1mm	.17 lbs.
7414MHF	1/2" Drive Magnetic Impact Socket 14mm	14mm	23.8mm	23.8mm	7.1mm	38.1mm	.17 lbs.
7415MHF	1/2" Drive Magnetic Impact Socket 15mm	15mm	23.8mm	23.8mm	7.1mm	38.1mm	.17 lbs.
7418MHF	1/2" Drive Magnetic Impact Socket 18mm	18mm	27.0mm	27.0mm	10.3mm	38.1mm	.24 lbs.

©2005 THE STANLEY WORKS
2195 East View Parkway, Suite 103 Conyers, GA 30013
www.stanleyproto.com
Customer Service: 1-800-800-TOOL



WARNING: Work Safely With Tools
Wear Safety Goggles.