



# INSTALLATION, OPERATION & MAINTENANCE INSTRUCTIONS

1455 Kleppe Lane ♦ Sparks, NV 89431-6467 ♦ (775) 359-4712 ♦ Fax (775) 359-7424  
E-mail: [haws@hawsco.com](mailto:haws@hawsco.com) ♦ website: [www.hawsco.com](http://www.hawsco.com)

No. 0080024955(3)

## Model 7500 CONFIG 1001 Portable Eyewash w/ Proximity Switch

**NOTE TO INSTALLER:** Please leave this information with the Maintenance Department.

### LIMITED WARRANTY

HAWS warrants that this specific product is guaranteed against defective material or poor workmanship for a period of **one year from date of shipment**. HAWS liability under this warranty shall be discharged by furnishing without charge F.O.B. HAWS Factory any goods, or part thereof, which shall appear to the Company upon inspection to be of defective material or not of first class workmanship, provided that claim is made in writing to Haws within a reasonable period after receipt of the product. Where claims for defects are made, the defective part or parts shall be delivered to the Company, prepaid, for inspection. HAWS will not be liable for the cost of repairs, alterations or replacements, or for any expense connected therewith made by the owner or his agents, except upon written authority from HAWS, Sparks, Nevada. HAWS will not be liable for any damages caused by defective materials or poor workmanship, except for replacements, as provided above. Buyer agrees that Haws has made no other warranties either expressed or implied in addition to those above stated, except that of title with respect to any of the products or equipment sold hereunder and that HAWS shall not be liable for general, special, or consequential damages claimed to arise under the contract of sale.

The emergency equipment manufactured by HAWS is warranted to function if installation and maintenance instructions provided are adhered to. The units also must be used for the purpose for which they were intended. This product is intended to supplement first-aid treatment. Due to widely varying conditions, Haws cannot guarantee that the use of this emergency equipment will prevent serious injury or the aggravation of existing or prior injuries.

**NO OTHER WARRANTIES EXPRESSED OR IMPLIED ARE AUTHORIZED, PROVIDED OR GIVEN BY HAWS.**

**SHOULD YOU EXPERIENCE DIFFICULTY WITH THE INSTALLATION OF THIS MODEL PLEASE CALL:**

**TECHNICAL SUPPORT: 1-800-766-5612**

**FOR CUSTOMER SERVICE: 1-888-640-4297**

**RECOMMENDED TOOLS:** Three 1/4" diameter anchors suitable for supporting filled eyewash (approximately 140 pounds) and tools needed to install these anchors.

**LOCATION OF UNIT:** The Model 7500 Portable Eyewash should be installed in close proximity to potential accident areas. It should be clearly identified, free from obstructions and easily accessible. May be wall or shelf mounted.

**NOTE: Personal wash units shall be protected from freezing and shall not be exposed to ambient temperatures exceeding 38°C (100°F).**

## INSTALLATION INSTRUCTIONS

**STEP 1:** Mount unit to wall utilizing "J" bracket (supplied). Note: 1/4" mounting hardware not supplied. Unit can also be mounted on shelf. Make sure portable eyewash unit is level from front to back and left to right before securing bracket to wall. Eyewash nozzles should be between 33 inches (83.8 cm) and 45 inches (114.3 cm) above the floor when eyewash arm is in the active (lowered) position (See Installation Drawing Page 7 of 7).

### **IMPORTANT:**

Filled eyewash unit is heavy (approximately 140 pounds). Wall bracket anchors, (Quantity-3, not supplied), or shelf must be strong enough to support the filled eyewash and the weight of a worker leaning on eyewash.

**STEP 2:** Install drain hose, if desired.

**STEP 3:** Fill up to fill line (make sure that no debris or contaminants of any kind are present in the flushing fluid). Make sure unit is level from front to back and left to right. If installed as indicated, eyewash unit will provide 15-minute duration of flow.

**STEP 4:** Take proper precautions to help prevent the growth of potentially harmful bacteria in eyewash tanks. (Refer to Maintenance Instructions).

## OPERATING INSTRUCTIONS

Instruct all employees in the use of this Emergency Eyewash. Personnel should be assigned to check eyewash liquid level daily.

**STEP 1:** Lead patient to nearest eyewash station. Seconds can make the difference in preventing serious eye injury.

**STEP 2:** Pull yellow eyewash arm firmly. Eyewash arm will drop to activate eyewash.

**STEP 3:** Lower head until eyes enter eyewash stream. Use thumbs and forefingers to hold eyelids open. Flush for 15 minutes.

**STEP 4:** Seek qualified medical attention immediately.

## MAINTENANCE INSTRUCTIONS

**NOTE:** Customer must provide an inspection tag and maintain a record of inspection dates and type of maintenance performed (i.e. adding Sterile Antimicrobial Preservative Model 9082, etc.)

**STEP 1:** Self contained eyewash equipment shall be visually checked to determine if flushing fluid needs to be changed or supplemented. See STEP 3 for additional information regarding activated units.

**Frequency of inspection:** Depending on environmental conditions, visual inspections should be performed on either a daily, weekly or monthly basis as some water loss will occur due to natural evaporation process.

**STEP 2:** Take proper precautions to help prevent the growth of potentially harmful bacteria in eyewash tanks. We recommend **either** of the following procedures:

- A.** Procedure 1: Use suitable Sterile Antimicrobial Preservative Model 9082 to help prevent the growth of bacteria in eyewash tank. Eyewash tank should be drained, flushed and refilled with clean potable water and Sterile Antimicrobial Preservative Model 9082 as directed by the preservative's manufacturer.
- B.** Procedure 2: Drain, flush and refill portable units with clean potable water at least once every week. Thoroughly cleanse tank at least once every month.

**NOTE:** Acanthamoeba survive mild chlorination and are commonly found in tap water. Sterile Antimicrobial Preservative Model 9082 will prevent the growth of Acanthamoeba. Hot water, 158° F (70° C) or hotter will destroy Acanthamoeba but must be allowed to cool prior to use in eyewash units.

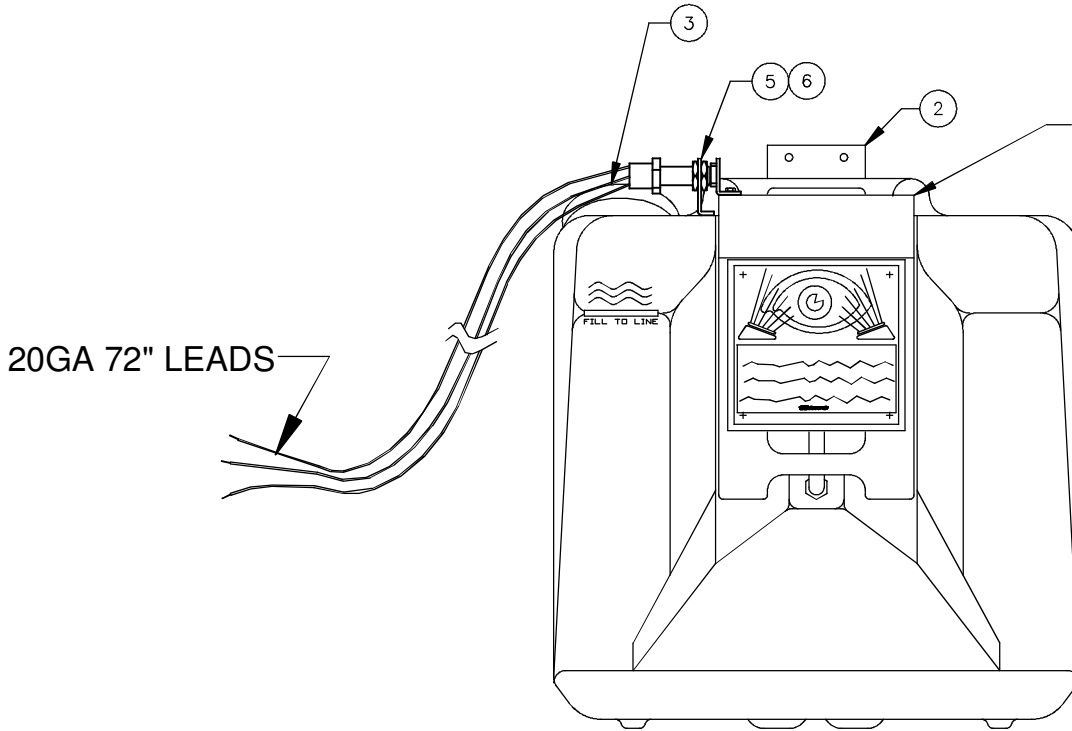
**STEP 3:** After activating units for whatever reason, ensure the following steps are implemented:

- A.** Refill tank with potable water to the watermark line.
- B.** If water is discharged for any reason – follow Procedure 1 or Procedure 2 of Step 2 above to ensure that water quality is maintained.

<b>TROUBLESHOOTING</b>	
<b>PROBLEM</b>	<b>REPAIR CHECKLIST</b>
1. No flow.	1. a. Tank empty. Refill tank. b. Obstruction in line or fitting. Clear obstruction.
2. Poor flow from eyewash head(s).	2. a. Tighten head assembly. b. Check for obstructions. If necessary, remove eyewash head(s), clean and reassemble. To reassemble head, place cap screw through head and thread into head anchor two or three turns. Tilt head assembly and work anchor legs into eyewash armholes. Tighten assembly. Check for leaks.
3. Water leak between joints or fittings.	3. a. Pull hose off fitting. Smooth raised plastic edge on center of fitting. Return hose and hose clamp to original position. b. Tighten hose clamp(s) with pliers.
4. Eyewash flows for less than 15 minutes.	4. a. Fill water level in eyewash tank even with water fill line (indicated on front of unit).
5. Excessive water loss.	5. a. Check unit for leaks. Some loss due to evaporation is normal.

ITEM	DESCRIPTION
1	SP19 EYEWASH HEAD ASSEMBLY
2	0001217418 BRACKET
3	SP131 CAP
4	9082 STERILE EYEWASH ADDITIVE
5	0080021582 SPDT PROX SW
6	0080019376 MAGNET

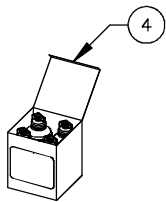
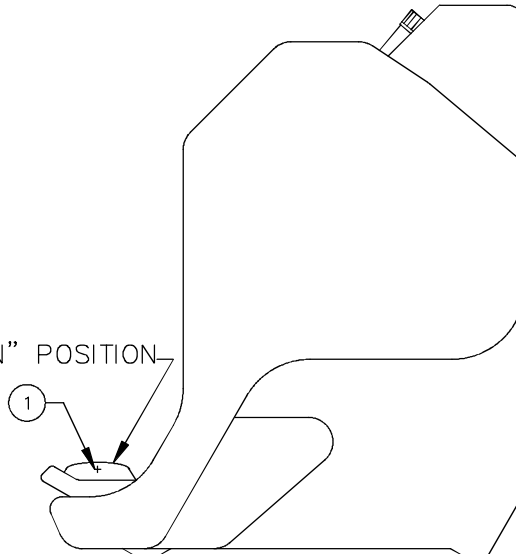
# PARTS BREAKDOWN



STAND BY  
"OFF"  
POSITION

20GA 72" LEADS

ACTIVE "ON" POSITION

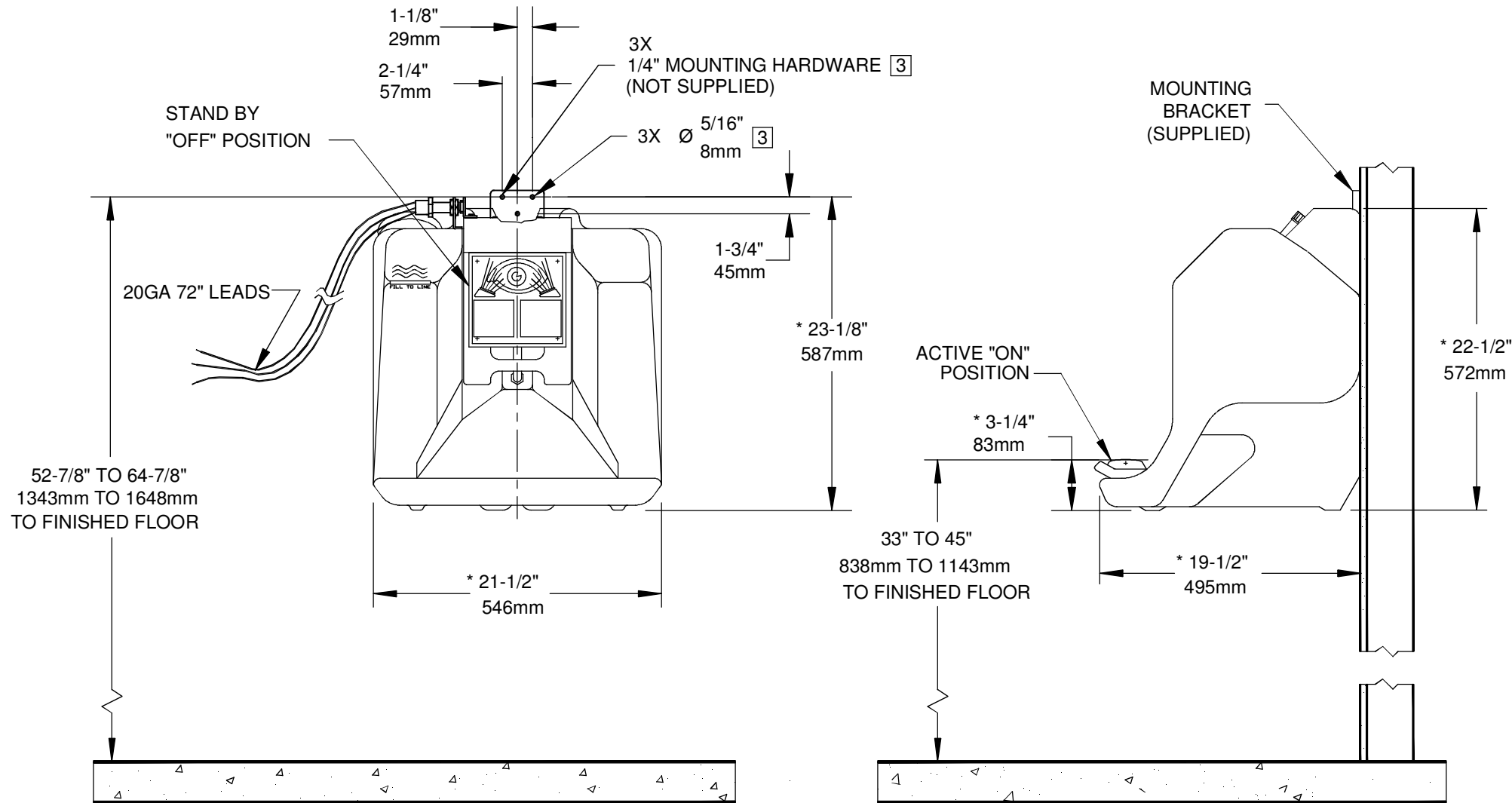


1455 KLEPPE LANE  
SPARKS, NEVADA 89431  
(775) 359-4712 FAX (755) 359-7424  
E-MAIL: HAWS@HAWS.CO.COM  
WEBSITE: WWW.HAWS.CO.COM

ECN NO. REVISED PER BY	MODEL(S)	PART NUMBER
ECN: -	7500 CONFIG 1001	0080024955
DRAWN SLS	DATE 8/7/13	CHKD
APPROVED	DATE	DRAWING NO. -
		REV 3

WHEN ORDERING PARTS PLEASE SPECIFY MODEL NUMBER.

SCALE: 1:4 DRAWING TYPE: PARTS BREAKDOWN SIZE: A SHEET 1 OF 1

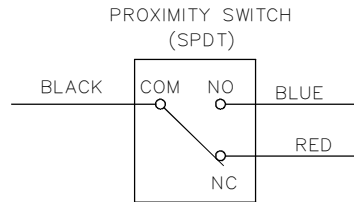


NOTES:


1. TO COMPLY WITH ANSI Z358.1-2014 FOR EMERGENCY EYEWASH OR EYE/FACE WASH AND SHOWER EQUIPMENT:
  - UNIT SHALL BE INSTALLED IN ACCORDANCE WITH MANUFACTURER'S INSTRUCTIONS AND ACCEPTABLE PLUMBING PRACTICES.
  - EYEWASH OR EYE/FACE WASH SHALL BE POSITIONED WITH NOZZLES NOT LESS THEN 83.8 CM (33 IN.) AND NO GREATER THAN 114.3 CM (45 IN.) FROM SURFACE ON WHICH USER STANDS AND 15.3 CM (6 IN.) MINIMUM FROM WALL OR NEAREST OBSTRUCTION.
2. UNIT MUST BE LEVEL FROM FRONT TO BACK AND SIDE TO SIDE.
3. ALL THREE MOUNTING HOLES ON MOUNTING-BRACKET MUST BE USED TO PROPERLY SECURE EYEWASH UNIT TO WALL.
4. \*DIMENSIONS MAY VARY ±1/2" [12.7mm]

		1455 KLEPPE LANE SPARKS, NEVADA 89431 (775) 359-4712 FAX (755) 359-7424 E-MAIL: HAWS@HAWS.CO.COM WEBSITE: WWW.HAWS.CO.COM	
		ECN NO. REVISED PER BY: - ECN: -	MODEL(S) 7500 CONFIG 1001 PORTABLE EYEWASH
DRAWN: SLS APPROVED:	DATE: 8/7/13 DATE:	CHK'D.: REV 3	SCALE: 1:10 DRAWING TYPE: INSTALLATION SIZE: A SHEET 1 OF 2

REV.	DESCRIPTION	BY	DATE
3	UPDATED COLORS ON NO AND NC, SWITCHED RED & BLUE	CWA	5/18/16



ALL ELECTRICAL WORK TO BE DONE PER LOCAL ELECTRICAL CODE  
 PROXIMITY SWITCHES RATED TO 3AMPS DC, VOLTAGE 0-28VDC OR 0-120VAC 100VA  
 AMBIENT TEMPERATURE -40 DEG. CELSIUS TO +72 DEG. CELSIUS.

		1455 KLEPPE LANE SPARKS, NEVADA 89431 (775) 359-4712 FAX (755) 359-7424 E-MAIL: HAWS@HAWSO.COM WEBSITE: WWW.HAWSO.COM	
		ECN NO. REVISED PER BY: MODEL(S) ECN: 7500 CONFIG 1001	PART NUMBER 0080024955.D
DRAWN: S. STANLEY DATE: 8/7/13 CHK'D.:	DRAWING NO. - REV 3		
APPROVED:	DATE:	SCALE: 1/20   DRAWING TYPE: ELECTRICAL   SIZE: A	SHEET 2 OF 2