

### Product Datasheet model uvex ultravision 9301 714



**UVEX ARBEITSSCHUTZ GMBH, Würzburger Str. 181-189,  
D-90766 Fürth**

#### 1. Product Characteristics


- classic safety goggle suitable for a wide range of applications
- flexible face seal naturally moulds to any facial shape
- generous internal volume accommodating prescription spectacles and frame recesses to locate the side arms ensuring a comfortable fit
- indirect ventilation system increases air circulation
- length-adjustable textile headband for a secure fit and individual adaptability
- cellulose acetate lens featuring anti-fog performance on the inside and UV380 protection
- a sustainable benefit: lenses can be replaced when required
- metal-free

#### 2. Technical Details Body

##### Frame

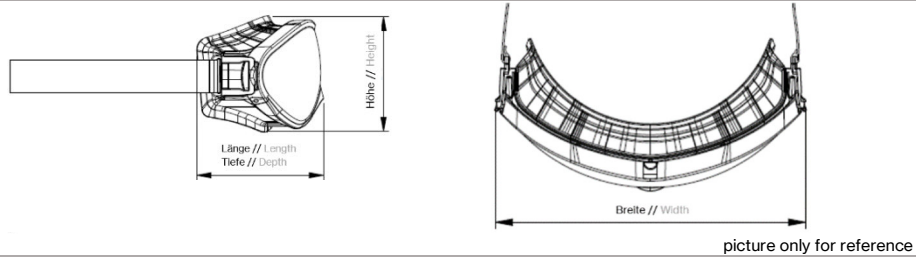
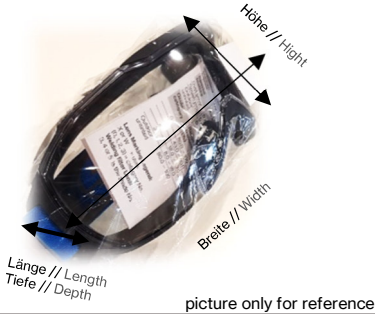
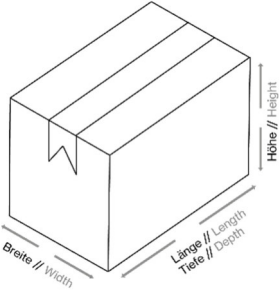
Material	PVC
Version	indirect ventilation
Colour	transparent grey

<b>Headband</b>	
Material	synthetic
Features	individually adjustable
Colour	anthracite, lime
<b>Headband Hooks</b>	
Material	PC
Colour	lime
<b>Marking</b>	
Manufacturer 's ID code	W
Applicable EN norm	166
Field of use	3 (drops and splashes of liquid) 4 (large dust particles)
Impact resistance	F (45 m/s)
Conformity symbol	CE

<b>3. Technical Details Lens</b>	
Material	CA
Thickness	1.2 mm at PD
Coating	anti-fog on the inside
Colour	clear
UV protection	UV380
Replacement lens	9300517
<b>Marking</b>	
Filter	2C-1.2 (EN 170)
Manufacturer 's ID code	W
Optical class	1
Impact resistance	F (45 m/s)
Antifog	N
Conformity symbol	CE
Factory symbol	

## 4. Logistical Information

### Product

Weight	116g	
Dimensions (L x W x B) in approx. mm		
	95 x 196 x 91	
	<b>Packing unit 1</b>	<b>Packing unit 2</b>
EAN Code	4031101068008	4031101711034
Quantity in pcs.	1	80
Dimensions (L x W x H) in approx. mm		
	100 x 200 x 91	600 x 400 x 400
Net weight in approx. g	116	9,280
Gross weight in approx. g	134	11,670
Country of Origin	Czech Republic	

## 5. Miscellaneous

Standards	EN 166 + EN 170
PPE Category	Category II